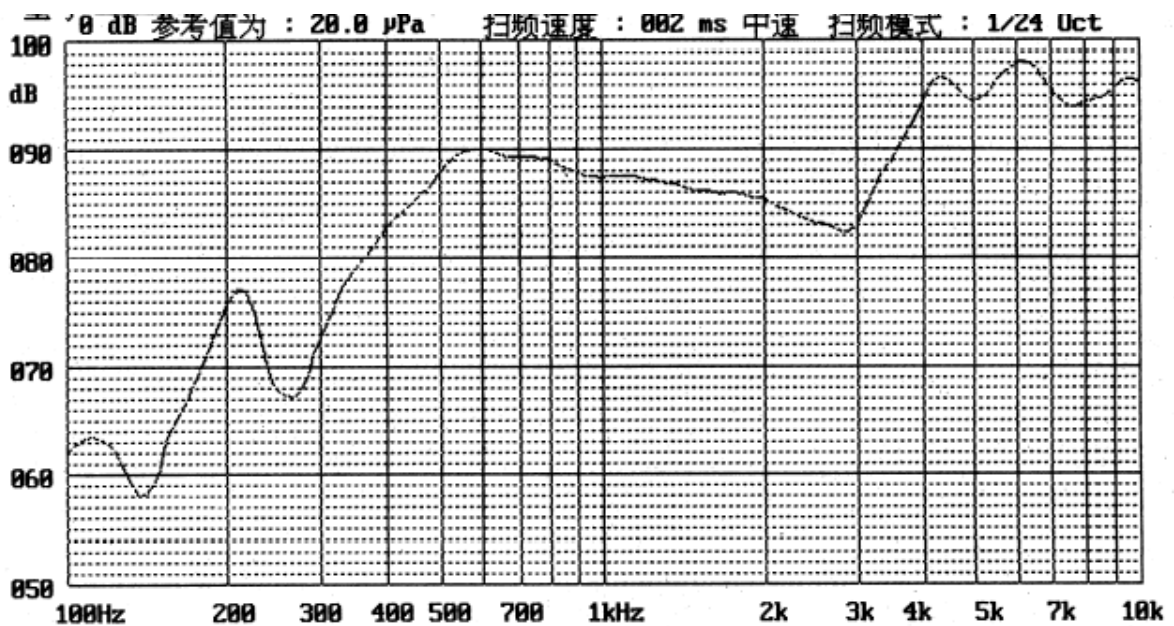
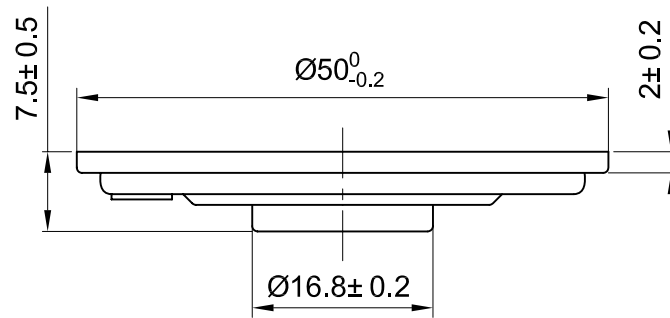
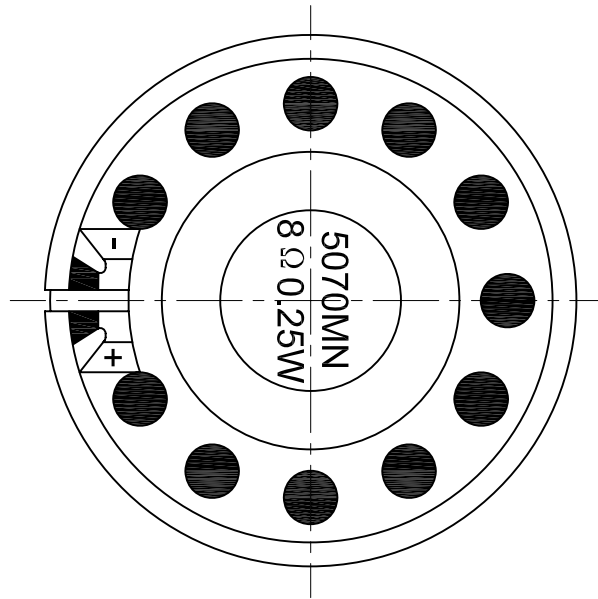


Speaker Specification 受控

Customer's Model No.		Customer	componet		
Kepo Model No.		KPSP5070MN-8/0.25F	Size	Φ50mm	No. J22306
No.	Item	Specification	Test Condition		
1	Impedance	8Ω±15%	at 800Hz		
2	Resonant Fr. (f ₀)	400Hz±20%			
3	Frequency Range	F0-5.0KHz			
4	Rated Power	0.25W			
5	Max Power	0.3W			
6	S.P.L.	90±3dB	1W/1M /0.8, 1.0, 1.2, 1.5kHz		
7	Distortion	Max 5%	at rated power 1.0kHz		
8	Sweep Test	must be normal	at sine wave 1.41V		
9	Load Test	after test meet item 8	rated noise power, 24 Hrs.		
10	Heat Test	after test meet item 8	50±2℃ 5Hrs.		
11	Cold Test	after test meet item 8	-20±2℃ 5Hrs.		
12	Humidity Test	after test meet item 8	40±2℃,90/95%R.H. 5Hrs.		
13	Weight				
14	Polarity Test	When supplied plus D.C. voltage to (+) terminal, the cone must move to forward.			
15	Note	with compliance ROHS			



Dimensions:



FIRST ANGLE PROJECTION

UNIT : mm
Tolerance : ± 0.2